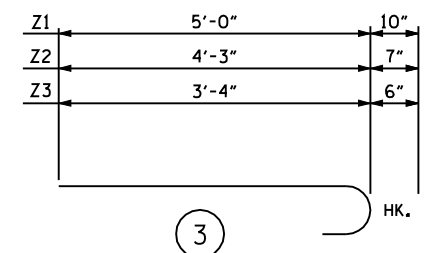
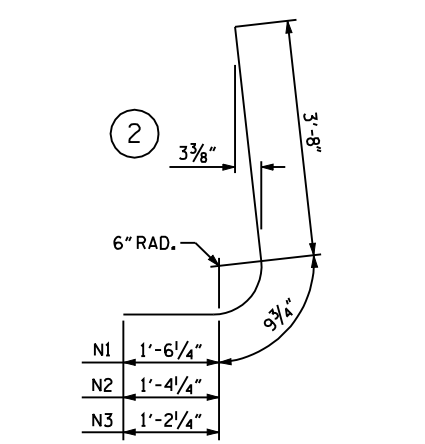
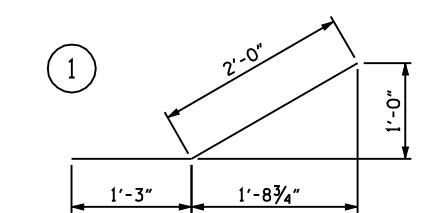


ALL BAR DIMENSIONS ARE OUT TO OUT.



BILL OF MATERIAL					
BAR	NO.	SIZE	TYPE	LENGTH	WEIGHT
H1	28	#4	STR	15'- 1"	282
H2	12	#4	STR	10'-10"	87
H3	8	#4	STR	6'- 4"	34
H4	8	#4	STR	4'- 1"	22
H5	20	#4	STR	16'-0"	214
H6	76	#4	1	3'- 3"	165
N1	36	#6	2	6'-0"	324
N2	24	#5	2	5'-10"	146
N3	28	#4	2	5'- 8"	106
S1	12	#6	STR	6'- 0"	108
T1	16	#4	STR	17'- 0"	182
V1	8	#5	STR	10'- 3"	86
V2	12	#5	STR	8'- 9"	110
V3	12	#5	STR	7'- 6"	94
V4	12	#4	STR	6'- 0"	48
V5	12	#4	STR	4'- 9"	38
V6	12	#4	STR	3'- 6"	28
V7	8	#4	STR	10'- 0"	53
V8	8	#4	STR	8'- 3"	44
V9	8	#4	STR	6'- 6"	35
V10	8	#4	STR	4'- 9"	25
Z1	36	#7	3	5'-10"	429
Z2	24	#5	3	4'-10"	121
Z3	28	#4	3	3'-10"	72

REINFORCING STEEL FOR 4 WINGS	2853 LBS
CLASS A CONCRETE 4 WINGS	40.8 CY
2 HEADWALLS	CY
2 END CURTAIN WALLS	CY
TOTAL	CY

ASSEMBLED BY : \_\_\_\_\_ DATE : \_\_\_\_\_  
 CHECKED BY : \_\_\_\_\_ DATE : \_\_\_\_\_  
 DRAWN BY : A.K.PATEL DATE : 11/04  
 CHECKED BY : M. K. BEARD DATE : 12/04

\*\*\*\*\*SYSTEM\*\*\*\*\*  
 \*\*\*\*\*DCN\*\*\*\*\*  
 \*\*\*\*\*USERNAME\*\*\*\*\*

PROJECT NO. \_\_\_\_\_ COUNTY \_\_\_\_\_  
 STATION: \_\_\_\_\_  
 SHEET OF \_\_\_\_\_

STATE OF NORTH CAROLINA  
 DEPARTMENT OF TRANSPORTATION  
 RALEIGH

STANDARD WINGS  
 FOR  
 CONCRETE BOX CULVERT  
 H = 11'-0" SLOPE = 2:1  
 90° SKEW

REVISIONS						SHEET NO.
NO.	BYs	DATEs	NO.	BYs	DATEs	TOTAL SHEETS
1			3			
2			4			

STD. NO. CW9011